



PJM Interconnection, L.L.C.
2750 Monroe Blvd
Audubon, PA 19403-2497

Jeanine S. Watson
Senior Counsel
T: (610) 666-4438 | F: (610) 666-8211
jeanine.watson@pjm.com

May 10, 2016

The Honorable Kimberly D. Bose, Secretary
Federal Energy Regulatory Commission
888 First Street, N.E., Room 1A
Washington, D.C. 20426-0001

Re: *PJM Interconnection, L.L.C. Docket No. ER16-_____ -000*
Service Agreement No. 4455; Queue No. AAI-038

Dear Secretary Bose:

Pursuant to section 205 of the Federal Power Act,¹ part 35 of the rules and regulations of the Federal Energy Regulatory Commission's ("Commission"),² and Part VI of the PJM Interconnection, L.L.C. ("PJM") Open Access Transmission Tariff ("PJM Tariff"), PJM submits for filing an executed Interim Interconnection Service Agreement among PJM, Rocky Forge Wind, LLC ("Interconnection Customer" or "RFW"), and Virginia Electric and Power Company ("Interconnected Transmission Owner" or "VEPCO") ("RFW Interim ISA").³ PJM requests an effective date of April 14, 2016 for the RFW Interim ISA designated as Service Agreement No. 4455. PJM is submitting the RFW Interim ISA for filing because, as described in more detail below and shown in redlines in Attachment B to this transmittal letter, it contains non-standard terms and conditions that do not conform to the Interim ISA Form set forth in Attachment O-1 in the PJM Tariff.

¹ 16 U.S.C. § 824d (2002).

² 18 C.F.R. part 35 (2013).

³ Because the RFW Interim ISA being electronically filed with this transmittal letter contains electronic signatures and not the original signatures of the Parties, a copy of the sheet containing the original signatures is included as Attachment A to this transmittal letter.

The Honorable Kimberly D. Bose, Secretary
PJM Interconnection, L.L.C., Docket No. ER16-____-000
May 10, 2016
Page 2

I. DESCRIPTION OF THE RFW INTERIM ISA

The RFW Interim ISA facilitates the interconnection to the PJM transmission system of 78.1 MW (Maximum Facility Output) at the Rocky Forge Wind Farm located approximately 2 miles southeast of Daggers Springs, Virginia. *See* RFW Interim ISA, Specifications at §1.0. The RFW Interim ISA indicates that RFW shall have Capacity Interconnection Rights in accordance with Subpart C of Part VI of the PJM Tariff upon execution of the final Interconnection Service Agreement described in section 7.0(a) of the RFW Interim ISA. *See* RFW Interim ISA, Specifications § 2.0. There is an Attachment Facilities Charge in the amount of \$43,000 and a Network Upgrades Charge in the amount of \$330,000 which consists of \$307,725 in direct labor costs and \$65,275 in indirect labor costs. There is no Local Upgrades Charge. *See* RFW Interim ISA, Specifications at § § 4.0 through 4.4.

II. DESCRIPTION OF THE NON-STANDARD TERMS AND CONDITIONS OF THE RFW INTERIM ISA

As indicated above, the RFW Interim ISA contains non-standard terms and conditions to accommodate this interconnection.⁴ Specifically, the RFW Interim ISA includes an additional schedule – Schedule E – Schedule of Work – which is not included in the Interim ISA Form. The parties have agreed to the inclusion of Schedule E, which specifies the dates by which both the Interconnected Transmission Owner and the Interconnection Customer will complete their respective work.

⁴ Redline pages showing the non-conforming changes are contained in Attachment B.

The Honorable Kimberly D. Bose, Secretary
PJM Interconnection, L.L.C., Docket No. ER16-_____-000
May 10, 2016
Page 3

The non-standard terms and conditions referenced herein are reasonable as they accommodate this interconnection and will not adversely impact the reliability of the PJM system. The remainder of the RFW Interim ISA is conforming.

III. WAIVER AND EFFECTIVE DATE

PJM requests that the Commission grant any and all waivers of the Commission's rules and regulations that are necessary for acceptance of this filing and the enclosed RFW Interim ISA. Additionally, PJM requests a waiver of the Commission's 60-day prior notice requirement to allow an effective date of April 14, 2016, for the RFW Interim ISA, as set forth in § 5.0 thereof. Waiver is appropriate because the RFW Interim ISA is being filed within thirty (30) days of its requested effective date. *See Prior Notice and Filing Requirements Under Part II of the Federal Power Act*, 64 FERC ¶ 61,139 at 61,983-84 (1993).

IV. DOCUMENTS ENCLOSED

PJM encloses the following:

1. Transmittal Letter;
2. RFW Interim ISA, Service Agreement No. 4455;
3. Attachment A: Copy of sheets containing the original signatures; and
4. Attachment B: Redline pages showing non-conforming changes contained in the RFW Interim ISA.

V. CORRESPONDENCE AND COMMUNICATIONS

All notices, communications or correspondences addressed to PJM regarding this matter should be directed to, and PJM requests that the Secretary include on the Commission's official service list, the following:

The Honorable Kimberly D. Bose, Secretary
PJM Interconnection, L.L.C., Docket No. ER16-_____-000
May 10, 2016
Page 4

Craig Glazer
Vice President–Federal Government Policy
PJM Interconnection, L.L.C.
1200 G Street, N.W, Suite 600
Washington, D.C. 20005
(202) 423-4743
craig.glazer@pjm.com

Jeanine S. Watson
Senior Counsel
PJM Interconnection, L.L.C.
2750 Monroe Blvd
Audubon, PA 19403-2497
(610) 666-4438
jeanine.watson@pjm.com

VI. SERVICE

PJM has served a copy of this filing on the Interconnection Customer, Interconnected Transmission Owner and the state utility regulatory commissions within the PJM region.

Respectfully submitted,



Craig Glazer
Vice President–Federal Government Policy
PJM Interconnection, L.L.C.
1200 G Street, N.W, Suite 600
Washington, D.C. 20005
(202) 423-4743
craig.glazer@pjm.com

Jeanine S. Watson
Senior Counsel
PJM Interconnection, L.L.C.
2750 Monroe Blvd.
Audubon, Pennsylvania 19403
(610) 666-4438
jeanine.watson@pjm.com

cc: Rocky Forge Wind, LLC
310 4th St. NE, Suite 200
Charlottesville, VA 22902
Attn: Bill Pezalla, Transmission Manager

Virginia Electric and Power Company
P.O. Box 26666
12th Floor One James River Plaza
Richmond, VA 23261-6666
Attn: Mr. Bob McGuire, Director Electric Transmission Project Development &
Execution

All state utility regulatory commissions within the PJM Region

Service Agreement No. 4455

(PJM Queue AA1-038)

INTERIM INTERCONNECTION SERVICE AGREEMENT

Among

PJM INTERCONNECTION, L.L.C.

And

ROCKY FORGE WIND, LLC

And

VIRGINIA ELECTRIC AND POWER COMPANY

INTERIM INTERCONNECTION SERVICE AGREEMENT

**By and Among
PJM Interconnection, L.L.C.
and**

**Rocky Forge Wind, LLC
and**

Virginia Electric and Power Company

(PJM Queue Position #AA1-038)

- 1.0 This Interim Interconnection Service Agreement (“Interim ISA”), including the Specifications attached hereto and incorporated herein, is entered into by and among PJM Interconnection, L.L.C. (“Transmission Provider” or “PJM”), Rocky Forge Wind, LLC (“Interconnection Customer”), and Virginia Electric and Power Company (“Interconnected Transmission Owner”).
- 2.0 Attached are Specifications for the Customer Facility that Interconnection Customer proposes to interconnect to the Transmission Provider’s Transmission System. Interconnection Customer represents and warrants that, upon completion of their construction, it will own or control the facilities identified in the Specifications attached hereto and made a part hereof. In the event that Interconnection Customer will not own the facilities, Interconnection Customer represents and warrants that it is authorized by the owners of such facilities to enter into this Interim ISA and to represent such control.
- 3.0 In order to advance the completion of its interconnection under the PJM Open Access Transmission Tariff (“Tariff”), Interconnection Customer has requested an Interim ISA and Transmission Provider has determined that Interconnection Customer is eligible under the Tariff to obtain this Interim ISA.
- 4.0 (a) In accord with Section 211 of the Tariff, Interconnection Customer, on or before the effective date of this Interim ISA, shall provide Transmission Provider (for the benefit of the Interconnected Transmission Owner) with a letter of credit from an agreed provider or other form of security reasonably acceptable to Transmission Provider in the amount of \$373,000, which amount equals the estimated costs, determined in accordance with Section 217 of the Tariff, of acquiring, designing, constructing and/or installing the facilities described in section 3.0 of the Attached Specifications. Should Interconnection Customer fail to provide such security in the amount or form required, this Interim ISA shall be terminated. Interconnection Customer acknowledges (1) that it will be responsible for the actual costs of the facilities described in the Specifications, whether greater or lesser than the amount of the payment security provided under this section, and (2) that the payment security under this section does not include any additional amounts that it will owe in the event that it executes a final Interconnection Service Agreement, as described in section 7.0(a) below.

(b) Interconnection Customer acknowledges (1) that the purpose of this Interim ISA is to expedite, at Interconnection Customer's request, the acquisition, design, construction and/or installation of certain materials and equipment, as described in the Specifications, necessary to interconnect its proposed facilities with Transmission Provider's Transmission System; and (2) that Transmission Provider's Interconnection Studies related to such facilities have not been completed, but that the completed feasibility and system impact studies, dated February 2015 and September 2015, that included Interconnection Customer's project sufficiently demonstrated, in Interconnection Customer's sole opinion, the necessity of facilities additions to the Transmission System to accommodate Interconnection Customer's project to warrant, in Interconnection Customer's sole judgment, its request that the Interconnected Transmission Owner acquire, design, construct and/or install the equipment indicated in the Specifications for use in interconnecting Interconnection Customer's project with the Transmission System.

5.0 This Interim ISA shall be effective on the date it is executed by all Interconnection Parties and shall terminate upon the execution and delivery by Interconnection Customer and Transmission Provider of the final Interconnection Service Agreement described in section 7.0(a) below, or on such other date as mutually agreed upon by the parties, unless earlier terminated in accordance with the Tariff.

6.0 In addition to the milestones stated in Section 212.5 of the Tariff, during the term of this Interim ISA, Interconnection Customer shall ensure that its generation project meets each of the following development milestones:

NOT APPLICABLE FOR THIS INTERIM ISA

7.0 (a) Transmission Provider and the Interconnected Transmission Owner agree to provide for the acquisition, design, construction and/or installation of the facilities identified, and to the extent described, in Section 3.0 of the Specifications in accordance with Part IV of the Tariff, as amended from time to time, and this Interim ISA. Except to the extent for which the Specifications provide for interim interconnection rights for the Interconnection Customer, the parties agree that (1) this Interim ISA shall not provide for or authorize Interconnection Service for the Interconnection Customer, and (2) Interconnection Service will commence only after Interconnection Customer has entered into a final Interconnection Service Agreement with Transmission Provider and the Interconnection Transmission Owner (or, alternatively, has exercised its right to initiate dispute resolution or to have the final Interconnection Service Agreement filed with the FERC unexecuted) after completion of the Facilities Study related to Interconnection Customer's Interconnection Request and otherwise in accordance with the Tariff. The final Interconnection Service Agreement may further provide for construction of, and payment for, transmission facilities additional to those identified in the attached Specifications. Should Interconnection Customer fail to enter into such final Interconnection Service Agreement (or, alternatively, to initiate dispute resolution or request that the agreement be filed with the FERC unexecuted) within the time prescribed by the Tariff, Transmission Provider shall have the right, upon providing written notice to Interconnection Customer, to terminate this Interim ISA.

(b) In the event that Interconnection Customer decides not to interconnect its proposed facilities, as described in Section 1.0 of the Specifications to the Transmission System, it shall immediately give Transmission Provider written notice of its determination. Interconnection Customer shall be responsible for the Costs incurred pursuant to this Interim ISA by Transmission Provider and/or by the Interconnected Transmission Owner (1) on or before the date of such notice, and (2) after the date of such notice, if the costs could not reasonably be avoided despite, or were incurred by reason of, Interconnection Customer's determination not to interconnect. Interconnection Customer's liability under the preceding sentence shall include all Cancellation Costs in connection with the acquisition, design, construction and/or installation of the facilities described in section 3.0 of the Specifications. In the event the Interconnected Transmission Owner incurs Cancellation Costs, it shall provide the Transmission Provider, with a copy to the Interconnection Customer, with a written demand for payment and with reasonable documentation of such Cancellation Costs. Within 60 days after the date of Interconnection Customer's notice, Transmission Provider shall provide an accounting of, and the appropriate party shall make any payment to the other that is necessary to resolve, any difference between (i) Interconnection Customer's cost responsibility under this Interim ISA and the Tariff for Costs, including Cancellation Costs, of the facilities described in section 3.0 of the Specifications and (ii) Interconnection Customer's previous payments under this Interim ISA. Notwithstanding the foregoing, however, Transmission Provider shall not be obligated to make any payment that the preceding sentence requires it to make unless and until the Interconnected Transmission Owner has returned to it the portion of Interconnection Customer's previous payments that Transmission Provider must pay under that sentence. This Interim ISA shall be deemed to be terminated upon completion of all payments required under this paragraph (b).

(c) Disposition of the facilities related to this Interim ISA after receipt of Interconnection Customer's notice of its determination not to interconnect shall be decided in accordance with Section 211.1 of the Tariff.

- 8.0 Interconnection Customer agrees to abide by all rules and procedures pertaining to generation in the PJM Region, including but not limited to the rules and procedures concerning the dispatch of generation set forth in the Operating Agreement and the PJM Manuals.
- 9.0 In analyzing and preparing the Facilities Study or the System Impact Study if no Facilities Study is required, and in designing and constructing the Attachment Facilities, Local Upgrades and/or Network Upgrades described in the Specifications attached to this Interim ISA, Transmission Provider, the Interconnected Transmission Owner(s), and any other subcontractors employed by Transmission Provider have had to, and shall have to, rely on information provided by Interconnection Customer and possibly by third parties and may not have control over the accuracy of such information. Accordingly, NEITHER TRANSMISSION PROVIDER, THE INTERCONNECTED TRANSMISSION OWNER(S), NOR ANY OTHER SUBCONTRACTORS EMPLOYED BY TRANSMISSION PROVIDER OR INTERCONNECTED TRANSMISSION OWNER MAKES ANY WARRANTIES, EXPRESS OR IMPLIED,

WHETHER ARISING BY OPERATION OF LAW, COURSE OF PERFORMANCE OR DEALING, CUSTOM, USAGE IN THE TRADE OR PROFESSION, OR OTHERWISE, INCLUDING WITHOUT LIMITATION IMPLIED WARRANTIES OF MERCHANTABILITY AND FITNESS FOR A PARTICULAR PURPOSE, WITH REGARD TO THE ACCURACY, CONTENT, OR CONCLUSIONS OF THE FACILITIES STUDY OR THE SYSTEM IMPACT STUDY IF NO FACILITIES STUDY IS REQUIRED OR OF THE ATTACHMENT FACILITIES, LOCAL UPGRADES AND/OR NETWORK UPGRADES, PROVIDED, HOWEVER, that Transmission Provider warrants that the transmission facilities described in Section 3.0 of the Specifications will be designed, constructed and operated in accordance with Good Utility Practice, as such term is defined in the Operating Agreement. Interconnection Customer acknowledges that it has not relied on any representations or warranties not specifically set forth herein and that no such representations or warranties have formed the basis of its bargain hereunder.

- 10.0 Within 120 days after the Interconnected Transmission Owner completes acquisition, design, construction and/or installation of the facilities described in Section 3.0 of the Specifications, Transmission Provider shall provide Interconnection Customer with an accounting of, and the appropriate party shall make any payment to the other that is necessary to resolve, any difference between (a) Interconnection Customer's responsibility under this Interim ISA and the Tariff for the actual cost of such equipment, and (b) Interconnection Customer's previous aggregate payments to Transmission Provider and the Interconnected Transmission Owner hereunder. Notwithstanding the foregoing, however, Transmission Provider shall not be obligated to make any payment that the preceding sentence requires it to make unless and until the Interconnected Transmission Owner has returned to it the portion of Interconnection Customer's previous payments that Transmission Provider must pay under that sentence.
- 11.0 No third party beneficiary rights are created under this Interim ISA, provided, however, that payment obligations imposed on Interconnection Customer hereunder are agreed and acknowledged to be for the benefit of the Interconnected Transmission Owner actually performing the services associated with the interconnection of the generating facilities and any associated upgrades of other facilities.
- 12.0 No waiver by either party of one or more defaults by the other in performance of any of the provisions of this Interim ISA shall operate or be construed as a waiver of any other or further default or defaults, whether of a like or different character.
- 13.0 This Interim ISA or any part thereof, may not be amended, modified, assigned, or waived other than by a writing signed by all parties hereto.
- 14.0 This Interim ISA shall be binding upon the parties hereto, their heirs, executors, administrators, successors, and assigns.
- 15.0 This Interim ISA shall not be construed as an application for service under Part II or Part III of the Tariff.

- 16.0 Any notice or request made to or by either Party regarding this Interim ISA shall be made to the representative of the other Party as indicated below.

Transmission Provider

PJM Interconnection, L.L.C.
2750 Monroe Blvd.
Audubon, PA 19403

Interconnection Customer

Rocky Forge Wind, LLC
310 4th St. NE, Suite 200
Charlottesville, VA 22902
Attn: Bill Pezalla, Transmission Manager

Interconnected Transmission Owner

Virginia Electric and Power Company
P.O. Box 26666
12th Floor One James River Plaza
Richmond, VA 23261-6666
Attn: Mr. Bob McGuire, Director Electric Transmission Project Development & Execution

- 17.0 All portions of the Tariff and the Operating Agreement pertinent to the subject of this Interim ISA are incorporated herein and made a part hereof.
- 18.0 This Interim ISA is entered into pursuant to Part IV of the Tariff.
- 19.0 Neither party shall be liable for consequential, incidental, special, punitive, exemplary or indirect damages, lost profits or other business interruption damages, by statute, in tort or contract, under any indemnity provision or otherwise with respect to any claim, controversy or dispute arising under this Interim ISA.
- 20.0 Addendum of Interconnection Customer's Agreement to Conform with IRS Safe Harbor Provisions for Non-Taxable Status. To the extent required, in accordance with Section 20.1, Schedule A to this Interim ISA shall set forth the Interconnection Customer's agreement to conform with the IRS safe harbor provisions for non-taxable status.
- 20.1 Tax Liability
- 20.1.1 Safe Harbor Provisions:

This Section 20.1.1 is applicable only to Generation Interconnection Customers. Provided that Interconnection Customer agrees to conform to all requirements of the

Internal Revenue Service (“IRS”) (e.g., the “safe harbor” provisions of IRS Notices 2001-82 and 88-129) that would confer nontaxable status on some or all of the transfer of property, including money, by Interconnection Customer to the Interconnected Transmission Owner for payment of the Costs of construction of the Transmission Owner Interconnection Facilities, the Interconnected Transmission Owner, based on such agreement and on current law, shall treat such transfer of property to it as nontaxable income and, except as provided in Section 20.1.2 below, shall not include income taxes in the Costs of Transmission Owner Interconnection Facilities that are payable by Interconnection Customer under the Interim Interconnection Service Agreement, the Interconnection Service Agreement or the Interconnection Construction Service Agreement. Interconnection Customer shall document its agreement to conform to IRS requirements for such non-taxable status in the Interconnection Service Agreement, the Interconnection Construction Service Agreement, and/or the Interim Interconnection Service Agreement.

20.1.2 Tax Indemnity:

Interconnection Customer shall indemnify the Interconnected Transmission Owner for any costs that Interconnected Transmission Owner incurs in the event that the IRS and/or a state department of revenue (State) determines that the property, including money, transferred by Interconnection Customer to the Interconnected Transmission Owner with respect to the construction of the Transmission Owner Interconnection Facilities and/or any Merchant Network Upgrades is taxable income to the Interconnected Transmission Owner. Interconnection Customer shall pay to the Interconnected Transmission Owner, on demand, the amount of any income taxes that the IRS or a State assesses to the Interconnected Transmission Owner in connection with such transfer of property and/or money, plus any applicable interest and/or penalty charged to the Interconnected Transmission Owner. In the event that the Interconnected Transmission Owner chooses to contest such assessment, either at the request of Interconnection Customer or on its own behalf, and prevails in reducing or eliminating the tax, interest and/or penalty assessed against it, the Interconnected Transmission Owner shall refund to Interconnection Customer the excess of its demand payment made to the Interconnected Transmission Owner over the amount of the tax, interest and penalty for which the Interconnected Transmission Owner is finally determined to be liable. Interconnection Customer’s tax indemnification obligation under this section shall survive any termination of the Interim Interconnection Service Agreement or Interconnection Construction Service Agreement.

20.1.3 Taxes Other Than Income Taxes:

Upon the timely request by Interconnection Customer, and at Interconnection Customer’s sole expense, the Interconnected Transmission Owner shall appeal, protest, seek abatement of, or otherwise contest any tax (other than federal or state income tax) asserted or assessed against the Interconnected Transmission Owner for which Interconnection Customer may be required to reimburse Transmission Provider under the terms of this Interim Interconnection Service Agreement or Part VI of the Tariff. Interconnection Customer shall pay to the Interconnected Transmission Owner on a

periodic basis, as invoiced by the Interconnected Transmission Owner, the Interconnected Transmission Owner's documented reasonable costs of prosecuting such appeal, protest, abatement, or other contest. Interconnection Customer and the Interconnected Transmission Owner shall cooperate in good faith with respect to any such contest. Unless the payment of such taxes is a prerequisite to an appeal or abatement or cannot be deferred, no amount shall be payable by Interconnection Customer to the Interconnected Transmission Owner for such contested taxes until they are assessed by a final, non-appealable order by any court or agency of competent jurisdiction. In the event that a tax payment is withheld and ultimately due and payable after appeal, Interconnection Customer will be responsible for all taxes, interest and penalties, other than penalties attributable to any delay caused by the Interconnected Transmission Owner.

20.1.4 Income Tax Gross-Up

20.1.4.1 Additional Security:

In the event that Interconnection Customer does not provide the safe harbor documentation required under Section 20.1.1 prior to execution of this Interim Interconnection Service Agreement, within 15 days after such execution, Transmission Provider shall notify Interconnection Customer in writing of the amount of additional Security that Interconnection Customer must provide. The amount of Security that a Transmission Interconnection Customer must provide initially pursuant to this Interim Interconnection Service Agreement shall include any amounts described as additional Security under this Section 20.1.4 regarding income tax gross-up.

20.1.4.2 Amount:

The required additional Security shall be in an amount equal to the amount necessary to gross up fully for currently applicable federal and state income taxes the estimated Costs of Local Upgrades and Network Upgrades for which Interconnection Customer previously provided Security. Accordingly, the additional Security shall equal the amount necessary to increase the total Security provided to the amount that would be sufficient to permit the Interconnected Transmission Owner to receive and retain, after the payment of all applicable income taxes ("Current Taxes") and taking into account the present value of future tax deductions for depreciation that would be available as a result of the anticipated payments or property transfers (the "Present Value Depreciation Amount"), an amount equal to the estimated Costs of Local Upgrades and Network Upgrades for which Interconnection Customer is responsible under the Interconnection Service Agreement. For this purpose, Current Taxes shall be computed based on the composite federal and state income tax rates applicable to the Interconnected Transmission Owner at the time the additional Security is received, determined using the highest marginal rates in effect at that time (the "Current Tax Rate"), and (ii) the Present Value Depreciation Amount shall be computed by discounting the Interconnected Transmission Owner's anticipated tax depreciation deductions associated with such payments or property transfers by its current weighted average cost of capital.

20.1.4.3 Time for Payment:

Interconnection Customer must provide the additional Security, in a form and with terms as required by Sections 212.4 of the Tariff, within 15 days after its receipt of Transmission Provider's notice under this section. The requirement for additional Security under this section shall be treated as a milestone included in the Interconnection Service Agreement pursuant to Section 212.5 of the Tariff.

20.1.5 Tax Status:

Each Party shall cooperate with the other to maintain the other Party's tax status. Nothing in this Interim Interconnection Service Agreement or the Tariff is intended to adversely affect any Interconnected Transmission Owner's tax exempt status with respect to the issuance of bonds including, but not limited to, local furnishing bonds.

21.0 Addendum of Interconnection Requirement for all Wind or Non-synchronous Generation Facilities. To the extent required, Schedule B to this Interim ISA sets forth interconnection requirements for all wind or non-synchronous generation facilities and is hereby incorporated by reference and made a part of this Interim ISA.

22.0 Infrastructure security of electric system equipment and operations and control hardware and software is essential to ensure day-to-day reliability and operational security. All Transmission Providers, Interconnected Transmission Owners, market participants, and Interconnection Customers interconnected with electric systems are to comply with the recommendations offered by the President's Critical Infrastructure Protection Board and best practice recommendations from the electric reliability authority. All public utilities are expected to meet basic standards for electric system infrastructure and operational security, including physical, operational, and cyber-security practices.

IN WITNESS WHEREOF, Transmission Provider, Interconnection Customer and Interconnected Transmission Owner have caused this Interim ISA to be executed by their respective authorized officials.

(PJM Queue Position #AA1-038)

Transmission Provider: PJM Interconnection, L.L.C.

By: <u>/s/ <i>David M. Egan</i></u>	<u>Manager, Interconnection Projects</u>	<u>4/14/16</u>
Name	Title	Date

Printed name of signer: David M. Egan

Interconnection Customer: Rocky Forge Wind, LLC

President
Apex Clean Energy Holdings, LLC,
Sole Member of Apex GCL, LLC,
Sole Member of Apex Wind III,
Sole Member of Rocky Forge
Wind, LLC

By: <u>/s/ <i>Mark Goodwin</i></u>	<u></u>	<u>3/29/16</u>
Name	Title	Date

Printed name of signer: Mark Goodwin

Interconnected Transmission Owner: Virginia Electric and Power Company

By: <u>/s/ <i>Bob McGuire</i></u>	<u>Dir ET Prod Dev & Execution Authorized Representative</u>	<u>4-12-16</u>
Name	Title	Date

Printed name of signer: Bob McGuire

**SPECIFICATIONS FOR
INTERIM INTERCONNECTION SERVICE AGREEMENT**

**By and Among
PJM INTERCONNECTION, L.L.C.**

And

Rocky Forge Wind, LLC

And

Virginia Electric and Power Company

(PJM Queue Position #AA1-038)

1.0 Description of Customer Facility to be interconnected with the Transmission System in the PJM Region:

a. Name of Customer Facility:

Rocky Forge Wind Farm

b. Location of Customer Facility:

Approximately 2 miles SE of Daggers Springs, VA

c. Size in megawatts of Customer Facility:

For Generation Interconnection Customer:

Maximum Facility Output of 78.1MW

2.0 Interconnection Rights: Interconnection Customer shall obtain Capacity Interconnection Rights in accordance with Subpart C of Part VI of the Tariff at the location specified in section 1.0b upon its execution of the final Interconnection Service Agreement described in section 7.0(a) of this Interim ISA.

3.0.A Facilities to be acquired, designed, constructed and/or installed by the Interconnected Transmission Owner under this Interim ISA:

Attachment Facilities

Conduct the engineering and design activities regarding the following Attachment Facilities on the Interconnected Transmission Owner side of the Point of Interconnection:

- Bus differential protection equipment;
- Transmission line to the Point of Interconnection which will be the new switching station fence line;
- Center break switch;
- Three Coupled Capacitor Voltage Transformers;
- Three Current Transformers;
- Metering equipment;
- Tubular bus;

- Steel Structures; and
- Conductor, connectors, conduit, control cable, foundations and grounding material.

Direct Connection Network Upgrades

Conduct the engineering and design activities regarding PJM Network Upgrade n4784. PJM Network Upgrade n4784 requires the installation of a new Rocky Forge 230kV (3) three breaker ring bus interconnection substation splitting the existing Lexington – Low Moor line #2084.

Non Direct Connection Network Upgrades

Conduct the engineering and design activities regarding PJM Network Upgrade n4785. PJM Network Upgrade n4785 requires the cutting of the existing Lexington – Low Moor 230kV line #2084 and looping it into the new Rocky Forge switching station.

Conduct the following activity regarding PJM Network Upgrade n4786 PJM Network Upgrade n4786 requires transmission line as well as anti-islanding protection to accommodate the new generation and interconnection substation.

- 3.0.B Facilities to be acquired, designed, constructed and/or installed by the Interconnection Customer under this Interim ISA:

On the Interconnection Customer side of the Point of Interconnection:

- Install 100 foot transmission line to the Point of Interconnection which will be the Rocky Forge 230kV substation fence line.

- 4.0 Interconnection Customer shall be subject to the charges detailed below:

4.1 Attachment Facilities Charge: \$43,000

4.2 Local Upgrades Charge: \$0

4.3 Network Upgrades Charge: \$330,000

4.4 Cost Breakdown:

\$307,725	Direct Labor
\$0	Direct Material
\$65,275	Indirect Labor
\$0	Indirect Material
\$373,000	Total

SCHEDULES:

SCHEDULE A – INTERCONNECTION CUSTOMER’S AGREEMENT TO CONFORM WITH IRS SAFE HARBOR PROVISIONS FOR NON-TAXABLE STATUS

SCHEDULE B - INTERCONNECTION REQUIREMENTS FOR A WIND GENERATION FACILITY

SCHEDULE C - CUSTOMER FACILITY LOCATION/SITE PLAN

SCHEDULE D - SINGLE-LINE DIAGRAM

SCHEDULE E – SCHEDULE OF WORK

SCHEDULE A

INTERCONNECTION CUSTOMER'S AGREEMENT TO CONFORM WITH IRS SAFE HARBOR PROVISIONS FOR NON-TAXABLE STATUS

As provided in Section 20.1 of this Interim ISA and subject to the requirements thereof, Interconnection Customer represents that it meets all qualifications and requirements as set forth in Section 118(a) and 118(b) of the Internal Revenue Code of 1986, as amended and interpreted by Notice 88-129, 1988-2 C.B. 541, and as amplified and modified in Notices 90-60, 1990-2 C.B. 345, and 2001-82, 2001-2 C.B. 619 (the "IRS Notices"). Interconnection Customer agrees to conform with all requirements of the safe harbor provisions specified in the IRS Notices, as they may be amended, as required to confer non-taxable status on some or all of the transfer of property, including money, by Interconnection Customer to Interconnected Transmission Owner with respect to the payment of the Costs of construction and installation of the Transmission Owner Interconnection Facilities and/or Merchant Network Upgrades specified in this Interim ISA.

Nothing in Interconnection Customer's agreement pursuant to this Schedule A shall change Interconnection Customer's indemnification obligations under Section 20.1 of this Interim ISA.

SCHEDULE B

INTERCONNECTION REQUIREMENTS FOR A

WIND GENERATION FACILITY

Schedule B sets forth requirements and provisions specific to the interconnection of a wind generation facility that is greater than 20 MW. All other requirements pertaining to the interconnection of generation facilities above 20 MW set forth in Part IV of the Tariff continue to apply to wind generation facility interconnections.

A. Technical Standards Applicable to a Wind Generation Facility

i. Low Voltage Ride-Through (LVRT) Capability

A wind generation facility shall be able to remain online during voltage disturbances up to the time periods and associated voltage levels set forth in the standard below. The Schedule B LVRT standard provides for a transition period standard and a post-transition period standard.

Transition Period LVRT Standard

The transition period standard applies to wind generation facilities subject to Commission Order No. 661 that have either: (i) Interconnection Service Agreements signed and filed with the Commission, filed with the Commission in unexecuted form, or filed with the Commission as non-conforming agreements between January 1, 2006 and December 31, 2006, with a scheduled in-service date no later than December 31, 2007, or (ii) wind generation turbines subject to a wind turbine procurement contract executed prior to December 31, 2005, for delivery through 2007.

1. Wind generation facilities are required to remain in-service during three-phase faults with normal clearing (which is a time period of approximately 4 – 9 cycles) and single line to ground faults with delayed clearing, and subsequent post-fault voltage recovery to prefault voltage unless clearing the fault effectively disconnects the generator from the system. The clearing time requirement for a three-phase fault will be specific to the wind generation facility substation location, as determined by and documented by the transmission provider. The maximum clearing time the wind generation facility shall be required to withstand for a three-phase fault shall be 9 cycles at a voltage as low as 0.15 p.u., as measured at the high side of the wind generation facility step-up transformer (i.e. the transformer that steps the voltage up to the transmission interconnection voltage or “GSU”), after which, if the fault remains following the location-specific normal clearing time for three-phase faults, the wind generation facility may disconnect from the transmission system.
2. This requirement does not apply to faults that would occur between the wind generator terminals and the high side of the GSU or to faults that would result in a voltage lower than 0.15 per unit on the high side of the GSU serving the facility.

3. Wind generation facilities may be tripped after the fault period if this action is intended as part of a special protection system.
4. Wind generation facilities may meet the LVRT requirements of this standard by the performance of the generators or by installing additional equipment (e.g., Static VAR Compensator, etc.) within the wind generation facility or by a combination of generator performance and additional equipment.
5. Existing individual generator units that are, or have been, interconnected to the network at the same location at the initial effective date of the Schedule B LVRT standard are exempt from meeting the Schedule B LVRT standard for the remaining life of the existing generation equipment. Existing individual generator units that are replaced are required to meet the Schedule B LVRT standard.

Post-transition Period LVRT Standard

All wind generation facilities subject to Commission Order No. 661 and not covered by the transition period described above must meet the following requirements:

1. Wind generation facilities are required to remain in-service during three-phase faults with normal clearing (which is a time period of approximately 4 – 9 cycles) and single line to ground faults with delayed clearing, and subsequent post-fault voltage recovery to prefault voltage unless clearing the fault effectively disconnects the generator from the system. The clearing time requirement for a three-phase fault will be specific to the wind generation facility substation location, as determined by and documented by the transmission provider. The maximum clearing time the wind generation facility shall be required to withstand for a three-phase fault shall be 9 cycles after which, if the fault remains following the location-specific normal clearing time for three-phase faults, the wind generation facility may disconnect from the transmission system. A wind generation facility shall remain interconnected during such a fault on the transmission system for a voltage level as low as zero volts, as measured at the high voltage side of the wind GSU.
2. This requirement does not apply to faults that would occur between the wind generator terminals and the high side of the GSU.
3. Wind generation facilities may be tripped after the fault period if this action is intended as part of a special protection system.
4. Wind generation facilities may meet the LVRT requirements of this standard by the performance of the generators or by installing additional equipment (e.g., Static VAR Compensator) within the wind generation facility or by a combination of generator performance and additional equipment.
5. Existing individual generator units that are, or have been, interconnected to the network at the same location at the initial effective date of the Schedule B LVRT standard are

exempt from meeting the Schedule B LVRT Standard for the remaining life of the existing generation equipment. Existing individual generator units that are replaced are required to meet the Schedule B LVRT Standard.

ii. Power Factor Design Criteria (Reactive Power)

The power factor requirements for wind generation facilities set forth in section 4.7.1 of Appendix 2 to Attachment O of the Tariff can be met by using, for example, power electronic devices designed to supply this level of reactive capability (taking into account any limitations due to voltage level, real power output, etc.) or fixed and switched capacitors if agreed to by the Transmission Provider, or a combination of the two. The Interconnection Customer shall not disable power factor equipment while the wind generation facility is in operation. Wind generation facilities shall also be able to provide sufficient dynamic voltage support in lieu of the power system stabilizer and automatic voltage regulation at the generator excitation system if the System Impact Study shows this to be required for system safety or reliability.

iii. Supervisory Control and Data Acquisition (SCADA) Capability

The wind generation facility shall provide SCADA capability to transmit data and receive instructions from the Transmission Provider to protect system reliability. The Transmission Provider and the wind generation facility Interconnection Customer shall determine what SCADA information is essential for the proposed wind generation facility, taking into account the size of the facility and its characteristics, location, and importance in maintaining generation resource adequacy and transmission system reliability in its area.

iv. Meteorological Data Reporting Requirement

The wind generation facility shall, at a minimum, be required to provide the Transmission Provider with site-specific meteorological data including:

- Temperature (degrees Fahrenheit)
- Wind speed (meters/second)
- Wind direction (degrees from True North)
- Atmospheric pressure (hectopascals)
- Forced outage data (wind turbine and MW unavailability)

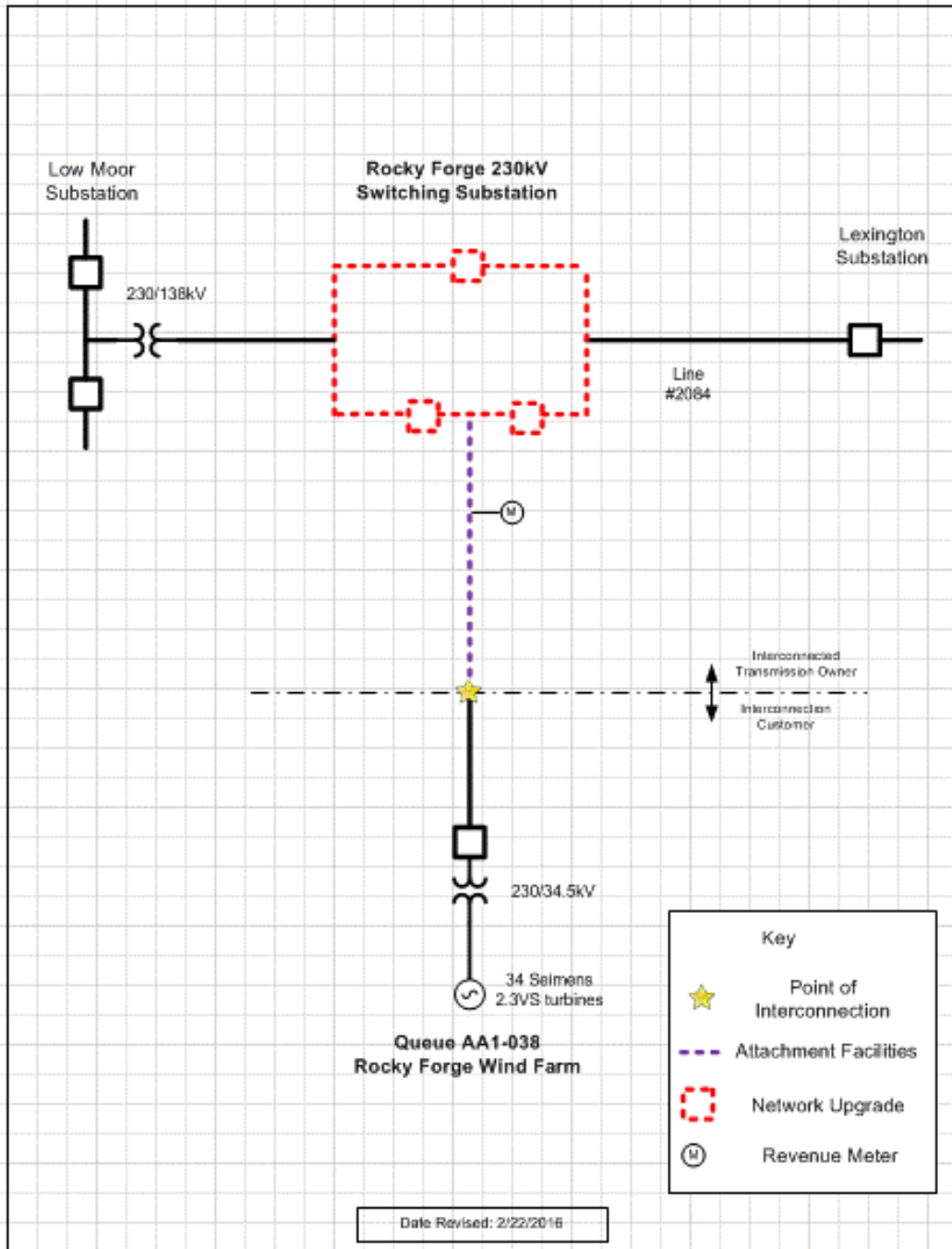
The Transmission Provider and Interconnection Customer may mutually agree to any additional meteorological data that are required for the development and deployment of a power production forecast. All requirements for meteorological and forced outage data must be commensurate with the power production forecasting employed by the Transmission Provider. Such additional mutually agreed upon requirements for meteorological and forced outage data are set forth below:

NOT APPLICABLE FOR THIS INTERIM ISA

SCHEDULE C
CUSTOMER FACILITY LOCATION/SITE PLAN



SCHEDULE D SINGLE-LINE DIAGRAM



SCHEDULE E
SCHEDULE OF WORK

Interconnected Transmission Owner:

By August 1, 2017:

If a Certificate of Public Convenience and Necessity (CPCN) is not required then complete all activities associated with the Transmission Owner Interconnection Facilities set forth in the Specifications section 3.0.A of this Interim ISA to support supplying backfeed power.

Interconnection Customer:

By August 1, 2017:

Complete all Customer Interconnection Facilities set forth in Specifications section 3.0.B of this Interim ISA in order to receive backfeed power.

ATTACHMENT A

**Copy of Original Signatures
Service Agreement No. 4455**

ATTACHMENT B

Redlines of Non-Conforming Language Service Agreement No. 4455

SCHEDULE E
SCHEDULE OF WORK

Interconnected Transmission Owner:

By August 1, 2017:

If a Certificate of Public Convenience and Necessity (CPCN) is not required then complete all activities associated with the Transmission Owner Interconnection Facilities set forth in the Specifications section 3.0.A of this Interim ISA to support supplying backfeed power.

Interconnection Customer:

By August 1, 2017:

Complete all Customer Interconnection Facilities set forth in Specifications section 3.0.B of this Interim ISA in order to receive backfeed power.

FERC rendition of the electronically filed tariff records in Docket No. ER16-01659-000

Filing Data:

CID: C000030

Filing Title: Original Interim ISA No. 4455, Queue No. AA1-038

Company Filing Identifier: 2094

Type of Filing Code: 10

Associated Filing Identifier:

Tariff Title: PJM Service Agreements Tariff

Tariff ID: 40

Payment Confirmation:

Suspension Motion:

Tariff Record Data:

Record Content Description, Tariff Record Title, Record Version Number, Option Code:

PJM SA No. 4455, PJM SA No. 4455 among PJM, Rocky Forge Wind and VEPCO, 0.0.0, A

Record Narrative Name: Executed Interim Interconnection Service Agreement No. 4455 among PJM, Rocky Forge Wind, LLC and Virginia Electric and Power Company.

Tariff Record ID: 1364

Tariff Record Collation Value: 558623850 Tariff Record Parent Identifier: 0

Proposed Date: 2016-04-14

Priority Order: 500

Record Change Type: NEW

Record Content Type: 1

Associated Filing Identifier:

Service Agreement No. 4455

(PJM Queue AA1-038)

INTERIM INTERCONNECTION SERVICE AGREEMENT

Among

PJM INTERCONNECTION, L.L.C.

And

ROCKY FORGE WIND, LLC

And

**VIRGINIA ELECTRIC AND POWER COMPANY INTERIM INTERCONNECTION
SERVICE AGREEMENT**

By and Among

PJM Interconnection, L.L.C.

and

Rocky Forge Wind, LLC

and

Virginia Electric and Power Company

(PJM Queue Position #AA1-038)

- 1.0 This Interim Interconnection Service Agreement (“Interim ISA”), including the Specifications attached hereto and incorporated herein, is entered into by and among PJM Interconnection, L.L.C. (“Transmission Provider” or “PJM”), Rocky Forge Wind, LLC (“Interconnection Customer”), and Virginia Electric and Power Company (“Interconnected Transmission Owner”).
- 2.0 Attached are Specifications for the Customer Facility that Interconnection Customer proposes to interconnect to the Transmission Provider’s Transmission System. Interconnection Customer represents and warrants that, upon completion of their construction, it will own or control the facilities identified in the Specifications attached hereto and made a part hereof. In the event that Interconnection Customer will not own the facilities, Interconnection Customer represents and warrants that it is authorized by the owners of such facilities to enter into this Interim ISA and to represent such control.
- 3.0 In order to advance the completion of its interconnection under the PJM Open Access Transmission Tariff (“Tariff”), Interconnection Customer has requested an Interim ISA and Transmission Provider has determined that Interconnection Customer is eligible under the Tariff to obtain this Interim ISA.
- 4.0
 - (a) In accord with Section 211 of the Tariff, Interconnection Customer, on or before the effective date of this Interim ISA, shall provide Transmission Provider (for the benefit of the Interconnected Transmission Owner) with a letter of credit from an agreed provider or other form of security reasonably acceptable to Transmission Provider in the amount of \$373,000, which amount equals the estimated costs, determined in accordance with Section 217 of the Tariff, of acquiring, designing, constructing and/or installing the facilities described in section 3.0 of the Attached Specifications. Should Interconnection Customer fail to provide such security in the amount or form required, this Interim ISA shall be terminated. Interconnection Customer acknowledges (1) that it will be responsible for the actual costs of the facilities described in the Specifications, whether greater or lesser than the amount of the payment security provided under this section, and (2) that the payment security under this section does not include any additional amounts that it will owe in the event that it executes a final Interconnection Service Agreement, as described in section 7.0(a) below.
 - (b) Interconnection Customer acknowledges (1) that the purpose of this Interim ISA is to expedite, at Interconnection Customer’s request, the acquisition, design, construction and/or installation of certain materials and equipment, as described in the Specifications, necessary to interconnect its proposed facilities with Transmission Provider’s Transmission System; and (2) that Transmission Provider’s Interconnection Studies related to such facilities have not been completed, but that the completed feasibility and system impact studies, dated February 2015 and September 2015, that included Interconnection Customer’s project sufficiently demonstrated, in Interconnection

Customer's sole opinion, the necessity of facilities additions to the Transmission System to accommodate Interconnection Customer's project to warrant, in Interconnection Customer's sole judgment, its request that the Interconnected Transmission Owner acquire, design, construct and/or install the equipment indicated in the Specifications for use in interconnecting Interconnection Customer's project with the Transmission System.

- 5.0 This Interim ISA shall be effective on the date it is executed by all Interconnection Parties and shall terminate upon the execution and delivery by Interconnection Customer and Transmission Provider of the final Interconnection Service Agreement described in section 7.0(a) below, or on such other date as mutually agreed upon by the parties, unless earlier terminated in accordance with the Tariff.
- 6.0 In addition to the milestones stated in Section 212.5 of the Tariff, during the term of this Interim ISA, Interconnection Customer shall ensure that its generation project meets each of the following development milestones:

NOT APPLICABLE FOR THIS INTERIM ISA

- 7.0 (a) Transmission Provider and the Interconnected Transmission Owner agree to provide for the acquisition, design, construction and/or installation of the facilities identified, and to the extent described, in Section 3.0 of the Specifications in accordance with Part IV of the Tariff, as amended from time to time, and this Interim ISA. Except to the extent for which the Specifications provide for interim interconnection rights for the Interconnection Customer, the parties agree that (1) this Interim ISA shall not provide for or authorize Interconnection Service for the Interconnection Customer, and (2) Interconnection Service will commence only after Interconnection Customer has entered into a final Interconnection Service Agreement with Transmission Provider and the Interconnection Transmission Owner (or, alternatively, has exercised its right to initiate dispute resolution or to have the final Interconnection Service Agreement filed with the FERC unexecuted) after completion of the Facilities Study related to Interconnection Customer's Interconnection Request and otherwise in accordance with the Tariff. The final Interconnection Service Agreement may further provide for construction of, and payment for, transmission facilities additional to those identified in the attached Specifications. Should Interconnection Customer fail to enter into such final Interconnection Service Agreement (or, alternatively, to initiate dispute resolution or request that the agreement be filed with the FERC unexecuted) within the time prescribed by the Tariff, Transmission Provider shall have the right, upon providing written notice to Interconnection Customer, to terminate this Interim ISA.
- (b) In the event that Interconnection Customer decides not to interconnect its proposed facilities, as described in Section 1.0 of the Specifications to the Transmission System, it shall immediately give Transmission Provider written notice of its determination. Interconnection Customer shall be responsible for the Costs incurred pursuant to this Interim ISA by Transmission Provider and/or by the Interconnected Transmission Owner (1) on or before the date of such notice, and (2) after the date of such notice, if the costs could not reasonably be avoided despite, or were incurred by

reason of, Interconnection Customer's determination not to interconnect. Interconnection Customer's liability under the preceding sentence shall include all Cancellation Costs in connection with the acquisition, design, construction and/or installation of the facilities described in section 3.0 of the Specifications. In the event the Interconnected Transmission Owner incurs Cancellation Costs, it shall provide the Transmission Provider, with a copy to the Interconnection Customer, with a written demand for payment and with reasonable documentation of such Cancellation Costs. Within 60 days after the date of Interconnection Customer's notice, Transmission Provider shall provide an accounting of, and the appropriate party shall make any payment to the other that is necessary to resolve, any difference between (i) Interconnection Customer's cost responsibility under this Interim ISA and the Tariff for Costs, including Cancellation Costs, of the facilities described in section 3.0 of the Specifications and (ii) Interconnection Customer's previous payments under this Interim ISA. Notwithstanding the foregoing, however, Transmission Provider shall not be obligated to make any payment that the preceding sentence requires it to make unless and until the Interconnected Transmission Owner has returned to it the portion of Interconnection Customer's previous payments that Transmission Provider must pay under that sentence. This Interim ISA shall be deemed to be terminated upon completion of all payments required under this paragraph (b).

(c) Disposition of the facilities related to this Interim ISA after receipt of Interconnection Customer's notice of its determination not to interconnect shall be decided in accordance with Section 211.1 of the Tariff.

- 8.0 Interconnection Customer agrees to abide by all rules and procedures pertaining to generation in the PJM Region, including but not limited to the rules and procedures concerning the dispatch of generation set forth in the Operating Agreement and the PJM Manuals.
- 9.0 In analyzing and preparing the Facilities Study or the System Impact Study if no Facilities Study is required, and in designing and constructing the Attachment Facilities, Local Upgrades and/or Network Upgrades described in the Specifications attached to this Interim ISA, Transmission Provider, the Interconnected Transmission Owner(s), and any other subcontractors employed by Transmission Provider have had to, and shall have to, rely on information provided by Interconnection Customer and possibly by third parties and may not have control over the accuracy of such information. Accordingly, NEITHER TRANSMISSION PROVIDER, THE INTERCONNECTED TRANSMISSION OWNER(S), NOR ANY OTHER SUBCONTRACTORS EMPLOYED BY TRANSMISSION PROVIDER OR INTERCONNECTED TRANSMISSION OWNER MAKES ANY WARRANTIES, EXPRESS OR IMPLIED, WHETHER ARISING BY OPERATION OF LAW, COURSE OF PERFORMANCE OR DEALING, CUSTOM, USAGE IN THE TRADE OR PROFESSION, OR OTHERWISE, INCLUDING WITHOUT LIMITATION IMPLIED WARRANTIES OF MERCHANTABILITY AND FITNESS FOR A PARTICULAR PURPOSE, WITH REGARD TO THE ACCURACY, CONTENT, OR CONCLUSIONS OF THE FACILITIES STUDY OR THE SYSTEM IMPACT STUDY IF NO FACILITIES

STUDY IS REQUIRED OR OF THE ATTACHMENT FACILITIES, LOCAL UPGRADES AND/OR NETWORK UPGRADES, PROVIDED, HOWEVER, that Transmission Provider warrants that the transmission facilities described in Section 3.0 of the Specifications will be designed, constructed and operated in accordance with Good Utility Practice, as such term is defined in the Operating Agreement. Interconnection Customer acknowledges that it has not relied on any representations or warranties not specifically set forth herein and that no such representations or warranties have formed the basis of its bargain hereunder.

- 10.0 Within 120 days after the Interconnected Transmission Owner completes acquisition, design, construction and/or installation of the facilities described in Section 3.0 of the Specifications, Transmission Provider shall provide Interconnection Customer with an accounting of, and the appropriate party shall make any payment to the other that is necessary to resolve, any difference between (a) Interconnection Customer's responsibility under this Interim ISA and the Tariff for the actual cost of such equipment, and (b) Interconnection Customer's previous aggregate payments to Transmission Provider and the Interconnected Transmission Owner hereunder. Notwithstanding the foregoing, however, Transmission Provider shall not be obligated to make any payment that the preceding sentence requires it to make unless and until the Interconnected Transmission Owner has returned to it the portion of Interconnection Customer's previous payments that Transmission Provider must pay under that sentence.
- 11.0 No third party beneficiary rights are created under this Interim ISA, provided, however, that payment obligations imposed on Interconnection Customer hereunder are agreed and acknowledged to be for the benefit of the Interconnected Transmission Owner actually performing the services associated with the interconnection of the generating facilities and any associated upgrades of other facilities.
- 12.0 No waiver by either party of one or more defaults by the other in performance of any of the provisions of this Interim ISA shall operate or be construed as a waiver of any other or further default or defaults, whether of a like or different character.
- 13.0 This Interim ISA or any part thereof, may not be amended, modified, assigned, or waived other than by a writing signed by all parties hereto.
- 14.0 This Interim ISA shall be binding upon the parties hereto, their heirs, executors, administrators, successors, and assigns.
- 15.0 This Interim ISA shall not be construed as an application for service under Part II or Part III of the Tariff.
- 16.0 Any notice or request made to or by either Party regarding this Interim ISA shall be made to the representative of the other Party as indicated below.

Transmission Provider

PJM Interconnection, L.L.C.
2750 Monroe Blvd.
Audubon, PA 19403

Interconnection Customer

Rocky Forge Wind, LLC
310 4th St. NE, Suite 200
Charlottesville, VA 22902
Attn: Bill Pezalla, Transmission Manager

Interconnected Transmission Owner

Virginia Electric and Power Company
P.O. Box 26666
12th Floor One James River Plaza
Richmond, VA 23261-6666
Attn: Mr. Bob McGuire, Director Electric Transmission Project Development & Execution

- 17.0 All portions of the Tariff and the Operating Agreement pertinent to the subject of this Interim ISA are incorporated herein and made a part hereof.
- 18.0 This Interim ISA is entered into pursuant to Part IV of the Tariff.
- 19.0 Neither party shall be liable for consequential, incidental, special, punitive, exemplary or indirect damages, lost profits or other business interruption damages, by statute, in tort or contract, under any indemnity provision or otherwise with respect to any claim, controversy or dispute arising under this Interim ISA.
- 20.0 Addendum of Interconnection Customer's Agreement to Conform with IRS Safe Harbor Provisions for Non-Taxable Status. To the extent required, in accordance with Section 20.1, Schedule A to this Interim ISA shall set forth the Interconnection Customer's agreement to conform with the IRS safe harbor provisions for non-taxable status.
- 20.1 Tax Liability
- 20.1.1 Safe Harbor Provisions:

This Section 20.1.1 is applicable only to Generation Interconnection Customers. Provided that Interconnection Customer agrees to conform to all requirements of the Internal Revenue Service ("IRS") (e.g., the "safe harbor" provisions of IRS Notices 2001-82 and 88-129) that would confer nontaxable status on some or all of the transfer of property, including money, by Interconnection Customer to the Interconnected Transmission Owner for payment of the Costs of construction of the Transmission Owner

Interconnection Facilities, the Interconnected Transmission Owner, based on such agreement and on current law, shall treat such transfer of property to it as nontaxable income and, except as provided in Section 20.1.2 below, shall not include income taxes in the Costs of Transmission Owner Interconnection Facilities that are payable by Interconnection Customer under the Interim Interconnection Service Agreement, the Interconnection Service Agreement or the Interconnection Construction Service Agreement. Interconnection Customer shall document its agreement to conform to IRS requirements for such non-taxable status in the Interconnection Service Agreement, the Interconnection Construction Service Agreement, and/or the Interim Interconnection Service Agreement.

20.1.2 Tax Indemnity:

Interconnection Customer shall indemnify the Interconnected Transmission Owner for any costs that Interconnected Transmission Owner incurs in the event that the IRS and/or a state department of revenue (State) determines that the property, including money, transferred by Interconnection Customer to the Interconnected Transmission Owner with respect to the construction of the Transmission Owner Interconnection Facilities and/or any Merchant Network Upgrades is taxable income to the Interconnected Transmission Owner. Interconnection Customer shall pay to the Interconnected Transmission Owner, on demand, the amount of any income taxes that the IRS or a State assesses to the Interconnected Transmission Owner in connection with such transfer of property and/or money, plus any applicable interest and/or penalty charged to the Interconnected Transmission Owner. In the event that the Interconnected Transmission Owner chooses to contest such assessment, either at the request of Interconnection Customer or on its own behalf, and prevails in reducing or eliminating the tax, interest and/or penalty assessed against it, the Interconnected Transmission Owner shall refund to Interconnection Customer the excess of its demand payment made to the Interconnected Transmission Owner over the amount of the tax, interest and penalty for which the Interconnected Transmission Owner is finally determined to be liable. Interconnection Customer's tax indemnification obligation under this section shall survive any termination of the Interim Interconnection Service Agreement or Interconnection Construction Service Agreement.

20.1.3 Taxes Other Than Income Taxes:

Upon the timely request by Interconnection Customer, and at Interconnection Customer's sole expense, the Interconnected Transmission Owner shall appeal, protest, seek abatement of, or otherwise contest any tax (other than federal or state income tax) asserted or assessed against the Interconnected Transmission Owner for which Interconnection Customer may be required to reimburse Transmission Provider under the terms of this Interim Interconnection Service Agreement or Part VI of the Tariff. Interconnection Customer shall pay to the Interconnected Transmission Owner on a periodic basis, as invoiced by the Interconnected Transmission Owner, the Interconnected Transmission Owner's documented reasonable costs of prosecuting such appeal, protest, abatement, or other contest. Interconnection Customer and the Interconnected

Transmission Owner shall cooperate in good faith with respect to any such contest. Unless the payment of such taxes is a prerequisite to an appeal or abatement or cannot be deferred, no amount shall be payable by Interconnection Customer to the Interconnected Transmission Owner for such contested taxes until they are assessed by a final, non-appealable order by any court or agency of competent jurisdiction. In the event that a tax payment is withheld and ultimately due and payable after appeal, Interconnection Customer will be responsible for all taxes, interest and penalties, other than penalties attributable to any delay caused by the Interconnected Transmission Owner.

20.1.4 Income Tax Gross-Up

20.1.4.1 Additional Security:

In the event that Interconnection Customer does not provide the safe harbor documentation required under Section 20.1.1 prior to execution of this Interim Interconnection Service Agreement, within 15 days after such execution, Transmission Provider shall notify Interconnection Customer in writing of the amount of additional Security that Interconnection Customer must provide. The amount of Security that a Transmission Interconnection Customer must provide initially pursuant to this Interim Interconnection Service Agreement shall include any amounts described as additional Security under this Section 20.1.4 regarding income tax gross-up.

20.1.4.2 Amount:

The required additional Security shall be in an amount equal to the amount necessary to gross up fully for currently applicable federal and state income taxes the estimated Costs of Local Upgrades and Network Upgrades for which Interconnection Customer previously provided Security. Accordingly, the additional Security shall equal the amount necessary to increase the total Security provided to the amount that would be sufficient to permit the Interconnected Transmission Owner to receive and retain, after the payment of all applicable income taxes ("Current Taxes") and taking into account the present value of future tax deductions for depreciation that would be available as a result of the anticipated payments or property transfers (the "Present Value Depreciation Amount"), an amount equal to the estimated Costs of Local Upgrades and Network Upgrades for which Interconnection Customer is responsible under the Interconnection Service Agreement. For this purpose, Current Taxes shall be computed based on the composite federal and state income tax rates applicable to the Interconnected Transmission Owner at the time the additional Security is received, determined using the highest marginal rates in effect at that time (the "Current Tax Rate"), and (ii) the Present Value Depreciation Amount shall be computed by discounting the Interconnected Transmission Owner's anticipated tax depreciation deductions associated with such payments or property transfers by its current weighted average cost of capital.

20.1.4.3 Time for Payment:

Interconnection Customer must provide the additional Security, in a form and with terms

as required by Sections 212.4 of the Tariff, within 15 days after its receipt of Transmission Provider's notice under this section. The requirement for additional Security under this section shall be treated as a milestone included in the Interconnection Service Agreement pursuant to Section 212.5 of the Tariff.

20.1.5 Tax Status:

Each Party shall cooperate with the other to maintain the other Party's tax status. Nothing in this Interim Interconnection Service Agreement or the Tariff is intended to adversely affect any Interconnected Transmission Owner's tax exempt status with respect to the issuance of bonds including, but not limited to, local furnishing bonds.

- 21.0 Addendum of Interconnection Requirement for all Wind or Non-synchronous Generation Facilities. To the extent required, Schedule B to this Interim ISA sets forth interconnection requirements for all wind or non-synchronous generation facilities and is hereby incorporated by reference and made a part of this Interim ISA.
- 22.0 Infrastructure security of electric system equipment and operations and control hardware and software is essential to ensure day-to-day reliability and operational security. All Transmission Providers, Interconnected Transmission Owners, market participants, and Interconnection Customers interconnected with electric systems are to comply with the recommendations offered by the President's Critical Infrastructure Protection Board and best practice recommendations from the electric reliability authority. All public utilities are expected to meet basic standards for electric system infrastructure and operational security, including physical, operational, and cyber-security practices.

IN WITNESS WHEREOF, Transmission Provider, Interconnection Customer and Interconnected Transmission Owner have caused this Interim ISA to be executed by their respective authorized officials.

(PJM Queue Position #AA1-038)

Transmission Provider: PJM Interconnection, L.L.C.

By: <u>/s/ David M. Egan</u>	<u>Manager, Interconnection Projects</u>	<u>4/14/16</u>
Name	Title	Date

Printed name of signer: David M. Egan

Interconnection Customer: Rocky Forge Wind, LLC

President
Apex Clean Energy Holdings, LLC,
Sole Member of Apex GCL, LLC,
Sole Member of Apex Wind III,
Sole Member of Rocky Forge
Wind, LLC

By: <u>/s/ Mark Goodwin</u>	_____	<u>3/29/16</u>
Name	Title	Date

Printed name of signer: Mark Goodwin

Interconnected Transmission Owner: Virginia Electric and Power Company

By: <u>/s/ Bob McGuire</u>	<u>Dir ET Prod Dev & Execution Authorized Representative</u>	<u>4-12-16</u>
Name	Title	Date

Printed name of signer: Bob McGuire

**SPECIFICATIONS FOR
INTERIM INTERCONNECTION SERVICE AGREEMENT**

**By and Among
PJM INTERCONNECTION, L.L.C.**

And

Rocky Forge Wind, LLC

And

Virginia Electric and Power Company

(PJM Queue Position #AA1-038)

1.0 Description of Customer Facility to be interconnected with the Transmission System in the PJM Region:

a. Name of Customer Facility:

Rocky Forge Wind Farm

b. Location of Customer Facility:

Approximately 2 miles SE of Dagers Springs, VA

c. Size in megawatts of Customer Facility:

For Generation Interconnection Customer:

Maximum Facility Output of 78.1MW

2.0 Interconnection Rights: Interconnection Customer shall obtain Capacity Interconnection Rights in accordance with Subpart C of Part VI of the Tariff at the location specified in section 1.0b upon its execution of the final Interconnection Service Agreement described in section 7.0(a) of this Interim ISA.

3.0.A Facilities to be acquired, designed, constructed and/or installed by the Interconnected Transmission Owner under this Interim ISA:

Attachment Facilities

Conduct the engineering and design activities regarding the following Attachment Facilities on the Interconnected Transmission Owner side of the Point of Interconnection:

- Bus differential protection equipment;
- Transmission line to the Point of Interconnection which will be the new switching station fence line;
- Center break switch;
- Three Coupled Capacitor Voltage Transformers;
- Three Current Transformers;
- Metering equipment;

- Tubular bus;
- Steel Structures; and
- Conductor, connectors, conduit, control cable, foundations and grounding material.

Direct Connection Network Upgrades

Conduct the engineering and design activities regarding PJM Network Upgrade n4784. PJM Network Upgrade n4784 requires the installation of a new Rocky Forge 230kV (3) three breaker ring bus interconnection substation splitting the existing Lexington – Low Moor line #2084.

Non Direct Connection Network Upgrades

Conduct the engineering and design activities regarding PJM Network Upgrade n4785. PJM Network Upgrade n4785 requires the cutting of the existing Lexington – Low Moor 230kV line #2084 and looping it into the new Rocky Forge switching station.

Conduct the following activity regarding PJM Network Upgrade n4786 PJM Network Upgrade n4786 requires transmission line as well as anti-islanding protection to accommodate the new generation and interconnection substation.

3.0.B Facilities to be acquired, designed, constructed and/or installed by the Interconnection Customer under this Interim ISA:

On the Interconnection Customer side of the Point of Interconnection:

- Install 100 foot transmission line to the Point of Interconnection which will be the Rocky Forge 230kV substation fence line.

4.0 Interconnection Customer shall be subject to the charges detailed below:

4.1 Attachment Facilities Charge: \$43,000

4.2 Local Upgrades Charge: \$0

4.3 Network Upgrades Charge: \$330,000

4.4 Cost Breakdown:

\$307,725	Direct Labor
\$0	Direct Material
\$65,275	Indirect Labor
\$0	Indirect Material
\$373,000	Total

SCHEDULES:

SCHEDULE A – INTERCONNECTION CUSTOMER’S AGREEMENT TO CONFORM WITH IRS SAFE HARBOR PROVISIONS FOR NON-TAXABLE STATUS

SCHEDULE B - INTERCONNECTION REQUIREMENTS FOR A WIND GENERATION FACILITY

SCHEDULE C - CUSTOMER FACILITY LOCATION/SITE PLAN

SCHEDULE D - SINGLE-LINE DIAGRAM

SCHEDULE E – SCHEDULE OF WORK

SCHEDULE A

**INTERCONNECTION CUSTOMER’S AGREEMENT TO CONFORM WITH
IRS SAFE HARBOR PROVISIONS FOR NON-TAXABLE STATUS**

As provided in Section 20.1 of this Interim ISA and subject to the requirements thereof, Interconnection Customer represents that it meets all qualifications and requirements as set forth in Section 118(a) and 118(b) of the Internal Revenue Code of 1986, as amended and interpreted by Notice 88-129, 1988-2 C.B. 541, and as amplified and modified in Notices 90-60, 1990-2 C.B. 345, and 2001-82, 2001-2 C.B. 619 (the “IRS Notices”). Interconnection Customer agrees to conform with all requirements of the safe harbor provisions specified in the IRS Notices, as they may be amended, as required to confer non-taxable status on some or all of the transfer of property, including money, by Interconnection Customer to Interconnected Transmission Owner with respect to the payment of the Costs of construction and installation of the Transmission Owner Interconnection Facilities and/or Merchant Network Upgrades specified in this Interim ISA.

Nothing in Interconnection Customer’s agreement pursuant to this Schedule A shall change Interconnection Customer’s indemnification obligations under Section 20.1 of this Interim ISA.

SCHEDULE B

INTERCONNECTION REQUIREMENTS FOR A

WIND GENERATION FACILITY

Schedule B sets forth requirements and provisions specific to the interconnection of a wind generation facility that is greater than 20 MW. All other requirements pertaining to the interconnection of generation facilities above 20 MW set forth in Part IV of the Tariff continue to apply to wind generation facility interconnections.

A. Technical Standards Applicable to a Wind Generation Facility

i. Low Voltage Ride-Through (LVRT) Capability

A wind generation facility shall be able to remain online during voltage disturbances up to the time periods and associated voltage levels set forth in the standard below. The Schedule B LVRT standard provides for a transition period standard and a post-transition period standard.

Transition Period LVRT Standard

The transition period standard applies to wind generation facilities subject to Commission Order No. 661 that have either: (i) Interconnection Service Agreements signed and filed with the Commission, filed with the Commission in unexecuted form, or filed with the Commission as non-conforming agreements between January 1, 2006 and December 31, 2006, with a scheduled in-service date no later than December 31, 2007, or (ii) wind generation turbines subject to a wind turbine procurement contract executed prior to December 31, 2005, for delivery through 2007.

1. Wind generation facilities are required to remain in-service during three-phase faults with normal clearing (which is a time period of approximately 4 – 9 cycles) and single line to ground faults with delayed clearing, and subsequent post-fault voltage recovery to prefault voltage unless clearing the fault effectively disconnects the generator from the system. The clearing time requirement for a three-phase fault will be specific to the wind generation facility substation location, as determined by and documented by the transmission provider. The maximum clearing time the wind generation facility shall be required to withstand for a three-phase fault shall be 9 cycles at a voltage as low as 0.15 p.u., as measured at the high side of the wind generation facility step-up transformer (i.e. the transformer that steps the voltage up to the transmission interconnection voltage or “GSU”), after which, if the fault remains following the location-specific normal clearing time for three-phase faults, the wind generation facility may disconnect from the transmission system.
2. This requirement does not apply to faults that would occur between the wind generator terminals and the high side of the GSU or to faults that would result in a voltage lower

than 0.15 per unit on the high side of the GSU serving the facility.

3. Wind generation facilities may be tripped after the fault period if this action is intended as part of a special protection system.
4. Wind generation facilities may meet the LVRT requirements of this standard by the performance of the generators or by installing additional equipment (e.g., Static VAR Compensator, etc.) within the wind generation facility or by a combination of generator performance and additional equipment.
5. Existing individual generator units that are, or have been, interconnected to the network at the same location at the initial effective date of the Schedule B LVRT standard are exempt from meeting the Schedule B LVRT standard for the remaining life of the existing generation equipment. Existing individual generator units that are replaced are required to meet the Schedule B LVRT standard.

Post-transition Period LVRT Standard

All wind generation facilities subject to Commission Order No. 661 and not covered by the transition period described above must meet the following requirements:

1. Wind generation facilities are required to remain in-service during three-phase faults with normal clearing (which is a time period of approximately 4 – 9 cycles) and single line to ground faults with delayed clearing, and subsequent post-fault voltage recovery to prefault voltage unless clearing the fault effectively disconnects the generator from the system. The clearing time requirement for a three-phase fault will be specific to the wind generation facility substation location, as determined by and documented by the transmission provider. The maximum clearing time the wind generation facility shall be required to withstand for a three-phase fault shall be 9 cycles after which, if the fault remains following the location-specific normal clearing time for three-phase faults, the wind generation facility may disconnect from the transmission system. A wind generation facility shall remain interconnected during such a fault on the transmission system for a voltage level as low as zero volts, as measured at the high voltage side of the wind GSU.
2. This requirement does not apply to faults that would occur between the wind generator terminals and the high side of the GSU.
3. Wind generation facilities may be tripped after the fault period if this action is intended as part of a special protection system.
4. Wind generation facilities may meet the LVRT requirements of this standard by the performance of the generators or by installing additional equipment (e.g., Static VAR Compensator) within the wind generation facility or by a combination of generator performance and additional equipment.

5. Existing individual generator units that are, or have been, interconnected to the network at the same location at the initial effective date of the Schedule B LVRT standard are exempt from meeting the Schedule B LVRT Standard for the remaining life of the existing generation equipment. Existing individual generator units that are replaced are required to meet the Schedule B LVRT Standard.

ii. Power Factor Design Criteria (Reactive Power)

The power factor requirements for wind generation facilities set forth in section 4.7.1 of Appendix 2 to Attachment O of the Tariff can be met by using, for example, power electronic devices designed to supply this level of reactive capability (taking into account any limitations due to voltage level, real power output, etc.) or fixed and switched capacitors if agreed to by the Transmission Provider, or a combination of the two. The Interconnection Customer shall not disable power factor equipment while the wind generation facility is in operation. Wind generation facilities shall also be able to provide sufficient dynamic voltage support in lieu of the power system stabilizer and automatic voltage regulation at the generator excitation system if the System Impact Study shows this to be required for system safety or reliability.

iii. Supervisory Control and Data Acquisition (SCADA) Capability

The wind generation facility shall provide SCADA capability to transmit data and receive instructions from the Transmission Provider to protect system reliability. The Transmission Provider and the wind generation facility Interconnection Customer shall determine what SCADA information is essential for the proposed wind generation facility, taking into account the size of the facility and its characteristics, location, and importance in maintaining generation resource adequacy and transmission system reliability in its area.

iv. Meteorological Data Reporting Requirement

The wind generation facility shall, at a minimum, be required to provide the Transmission Provider with site-specific meteorological data including:

- Temperature (degrees Fahrenheit)
- Wind speed (meters/second)
- Wind direction (degrees from True North)
- Atmospheric pressure (hectopascals)
- Forced outage data (wind turbine and MW unavailability)

The Transmission Provider and Interconnection Customer may mutually agree to any additional meteorological data that are required for the development and deployment of a power production forecast. All requirements for meteorological and forced outage data must be commensurate with the power production forecasting employed by the Transmission Provider. Such additional mutually agreed upon requirements for meteorological and forced outage data are set forth below:

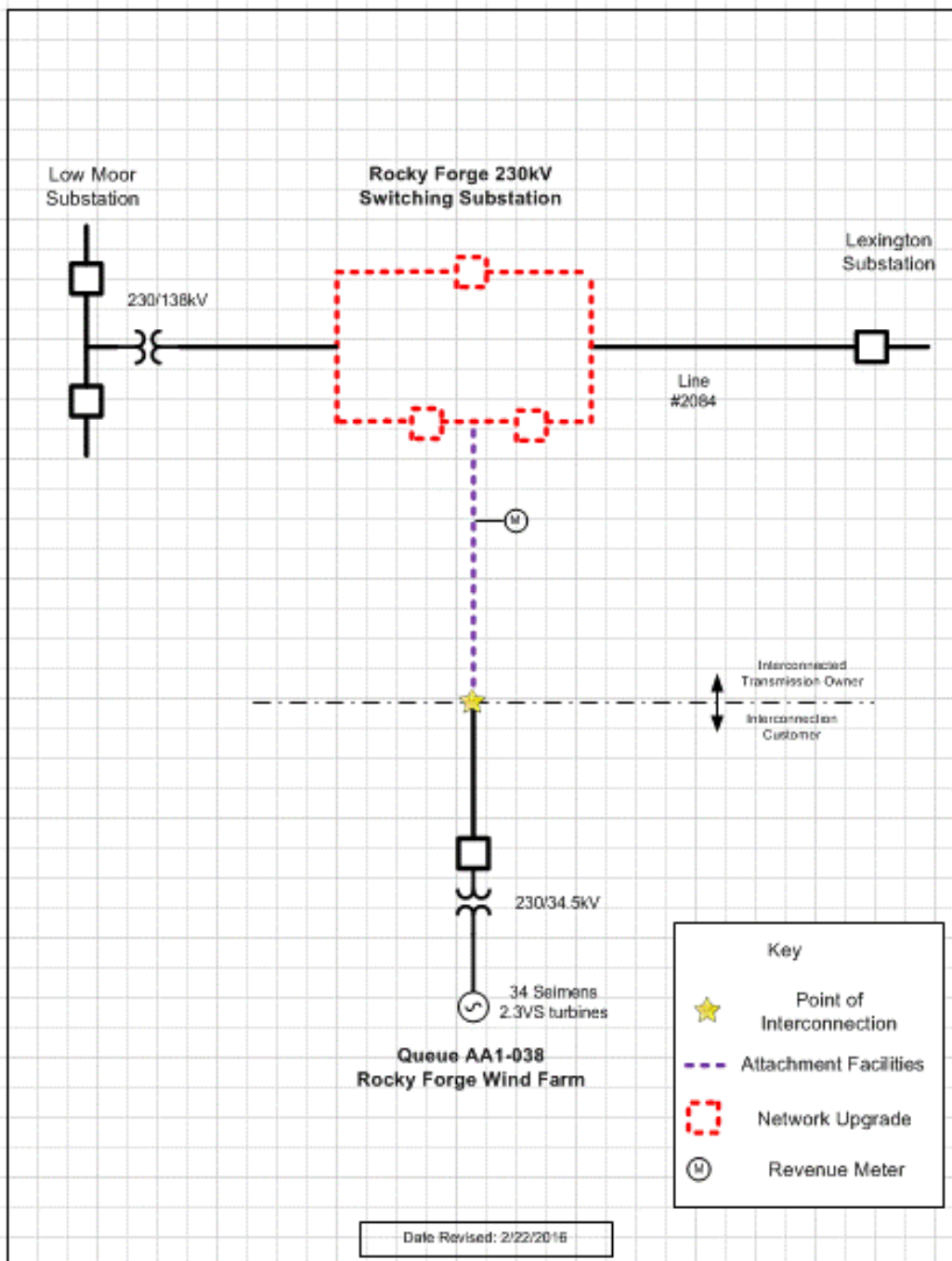
NOT APPLICABLE FOR THIS INTERIM ISA

SCHEDULE C

CUSTOMER FACILITY LOCATION/SITE PLAN



SCHEDULE D SINGLE-LINE DIAGRAM



SCHEDULE E

SCHEDULE OF WORK

Interconnected Transmission Owner:

By August 1, 2017:

If a Certificate of Public Convenience and Necessity (CPCN) is not required then complete all activities associated with the Transmission Owner Interconnection Facilities set forth in the Specifications section 3.0.A of this Interim ISA to support supplying backfeed power.

Interconnection Customer:

By August 1, 2017:

Complete all Customer Interconnection Facilities set forth in Specifications section 3.0.B of this Interim ISA in order to receive backfeed power.

Document Content(s)

2094-9c1e12d6-185e-45a1-8a2e-659434701555.PDF.....1-4

2094-b2c0ff13-4b4d-4d00-bdf5-368fbcf0d0b4.PDF.....5-24

2094-b93073c3-b249-4916-8353-53395fef0e60.PDF.....25-26

2094-2dd60fa6-f9c9-4f2f-819f-4e076c46e19a.PDF.....27-28

FERC GENERATED TARIFF FILING.RTF.....29-47